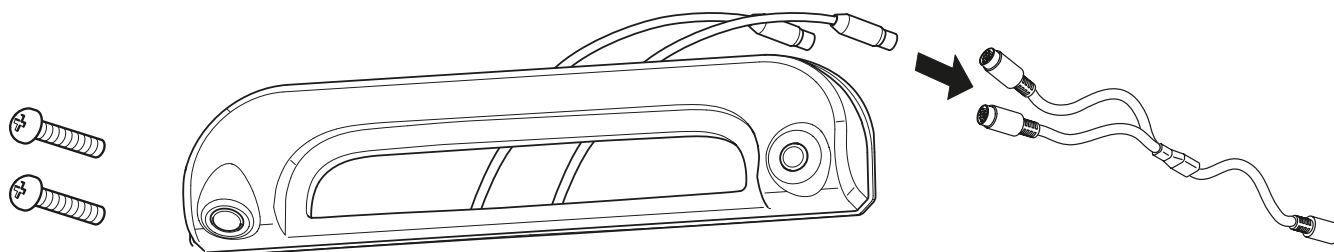


VNA-RCAM-DBJ220/225/228HD

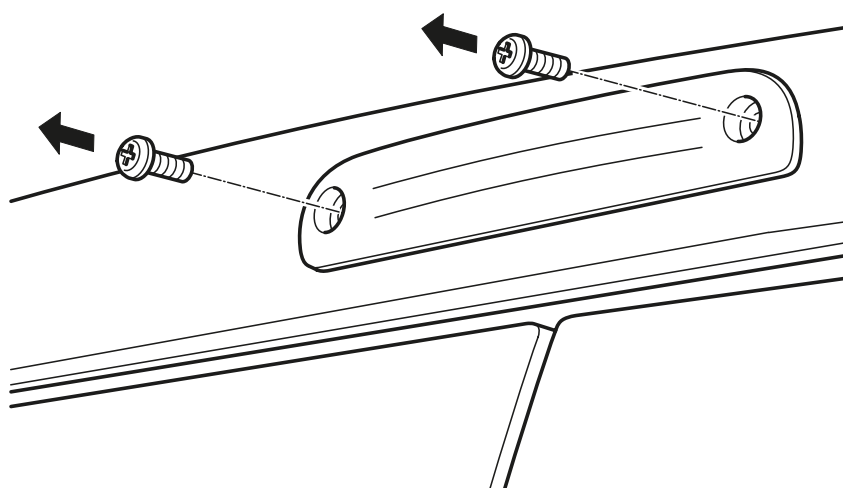


INSTALLATION

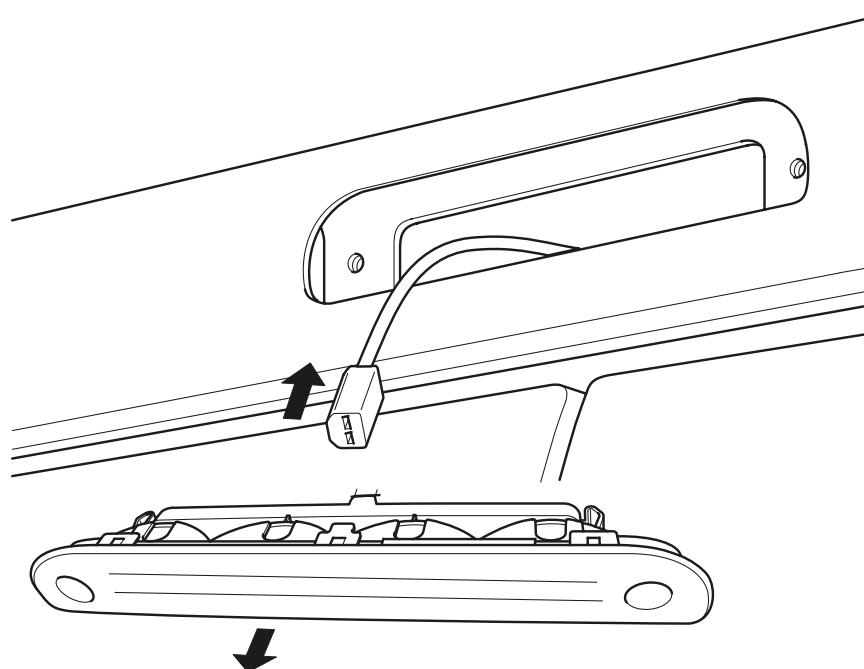
1.



2.



3.

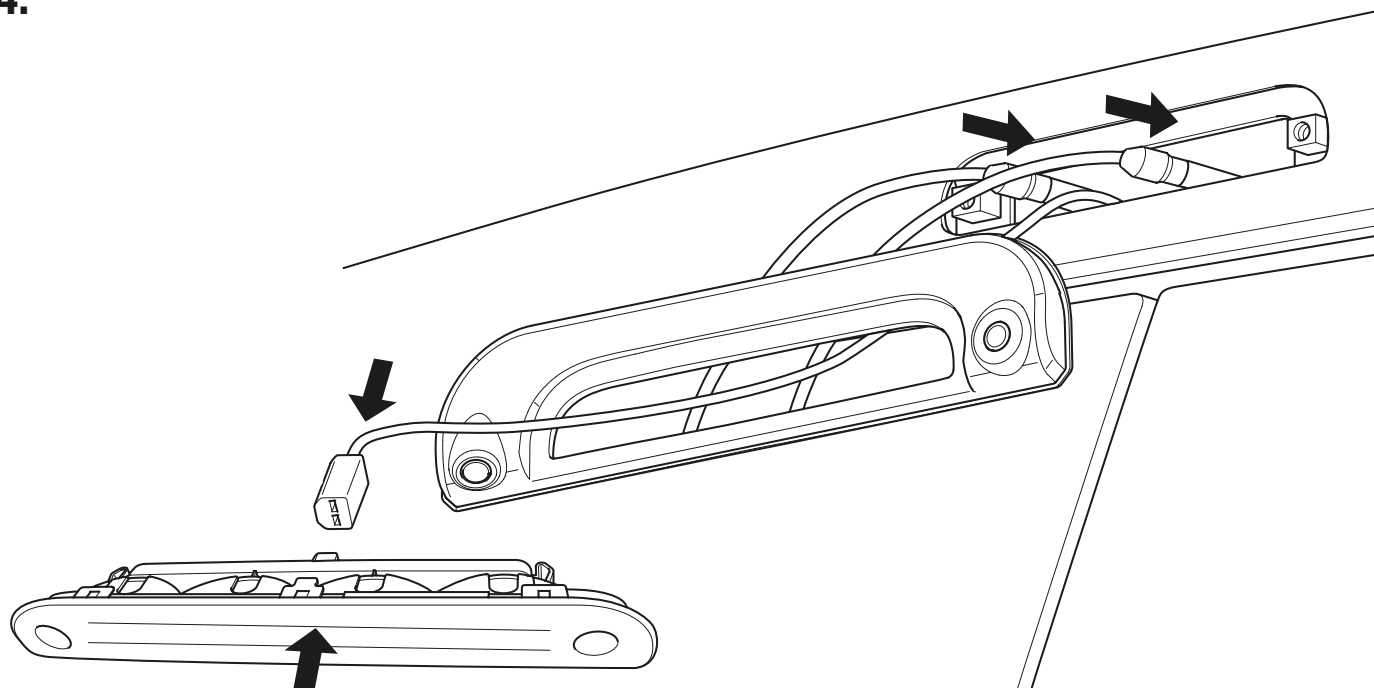


VNA-RCAM-DBJ220/225/228HD



INSTALLATION

4.



5.

