

# IC FORD 690

Technical Sheet

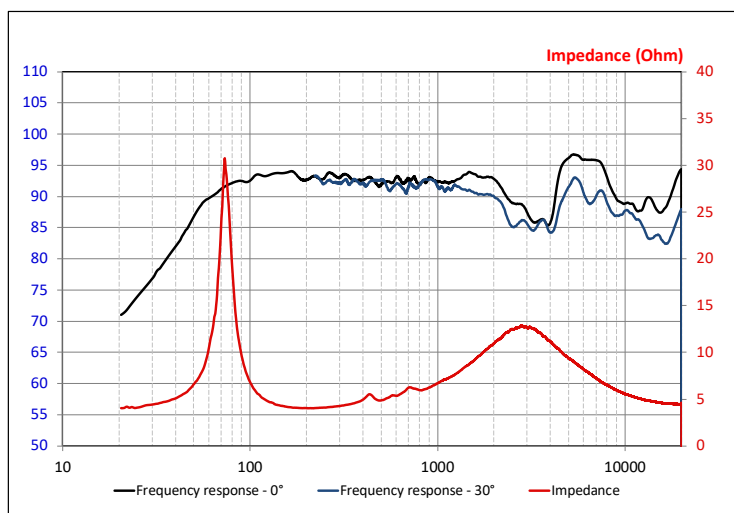
## Coaxial speaker



## SPECIFICATIONS

Nominal power	75W
Maximum power	150W
Sensitivity	92dB
Nom. impedance	4Ω
Cone	Black Polyglass
Surround	Butyl
DC resistance	3.8Ω
VC diameter	30mm 1 1/16"
Former	Kapton
Layers	2
Wire	Copper
Net weight	1070g 2.36lbs

## FREQUENCY RESPONSE/IMPEDANCE

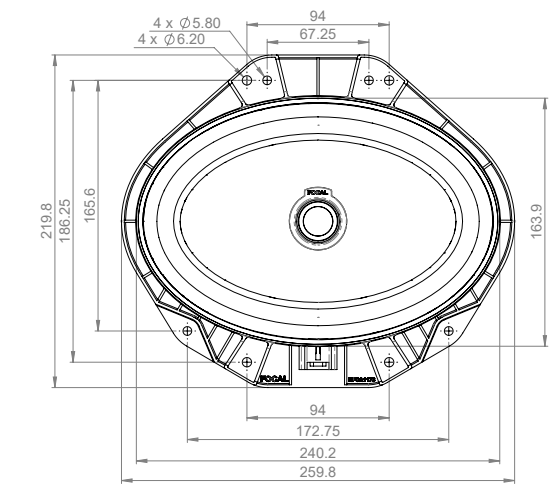
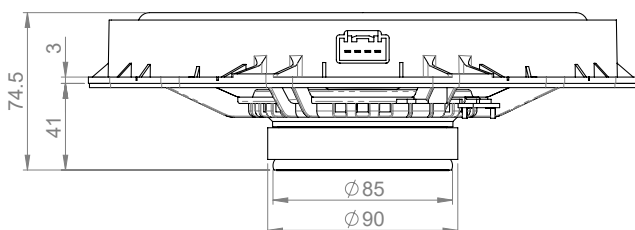


## PARAMETERS

Rdc	3.79Ω
Fs	74.1Hz
Mms	19.7g
Cms	0.234mm/N
Vas	16.05l
Qts	1.06
Qes	1.14
Qms	8.17
Bxl	5.5N/A
Sd	220cm <sup>2</sup>
SPL	89dB
Xmax	3mm

## MECHANICAL DRAWING

Dimensions in mm



**FOCAL® INSIDE**

Focal® is a trademark of Focal-JMLab® - [www.focal.com](http://www.focal.com) - SCAA200505/1

**FOCAL®**  
LISTEN BEYOND