

IS TOY 690

Technical Sheet

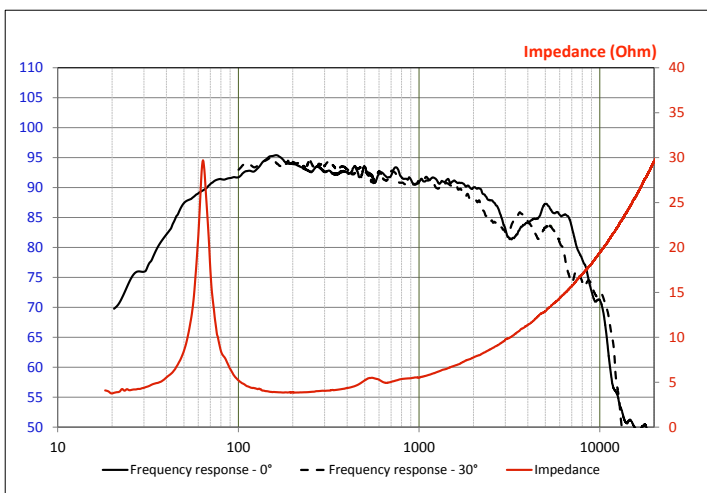
Woofer



SPECIFICATIONS

Nominal power	75 W
Maximum power	150 W
Sensitivity	92.3dB
Nom. impedance	4 Ω
Cone	Black Polyglass
Surround	Butyl
DC resistance	3.6 Ω
VC diameter	30 mm 1 $\frac{3}{16}$ "
Former	Kapton
Layers	2
Wire	Copper
Magnet d x h	90x15mm 3 $\frac{9}{16}$ x $\frac{5}{16}$ "
Net weight	1050g 2.3lbs

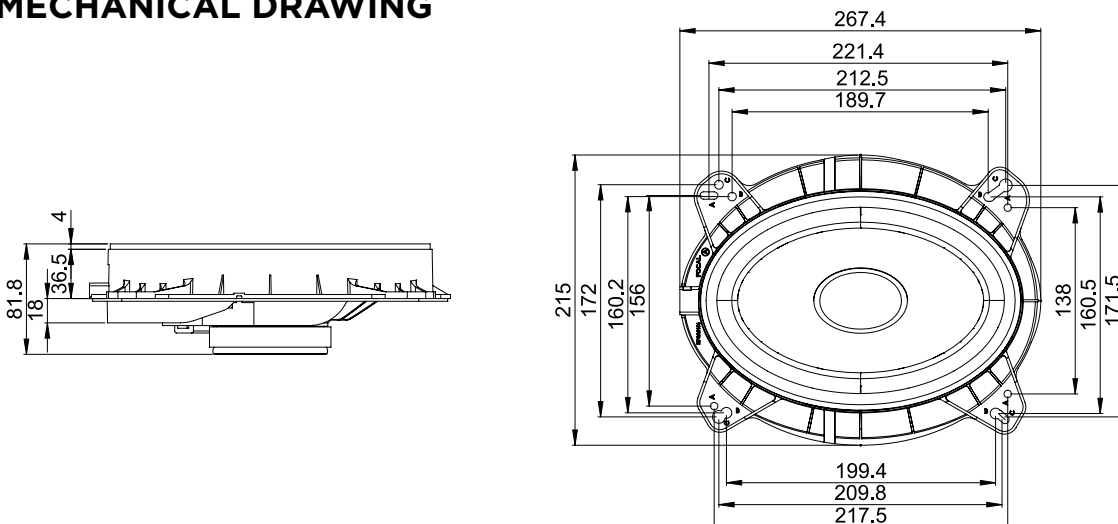
FREQUENCY RESPONSE/IMPEDANCE



PARAMETERS

Rdc	3.6 Ω
Fs	65 Hz
Mms	21.8 g
Cms	0.271 mm/N
Vas	18.7L
Qts	0,98
Qes	1,1
Qms	8,85
Bxl	5.42 N/A
Sd	221 cm ²
SPL	88.8dB
Xmax	3.25mm

MECHANICAL DRAWING



FOCAL® INSIDE

Focal® is a trademark of Focal-JMLab® - www.focal.com - SCAA190919/1

FOCAL®
LISTEN BEYOND