

# HDA 165 2014 UP

## Technical Sheet

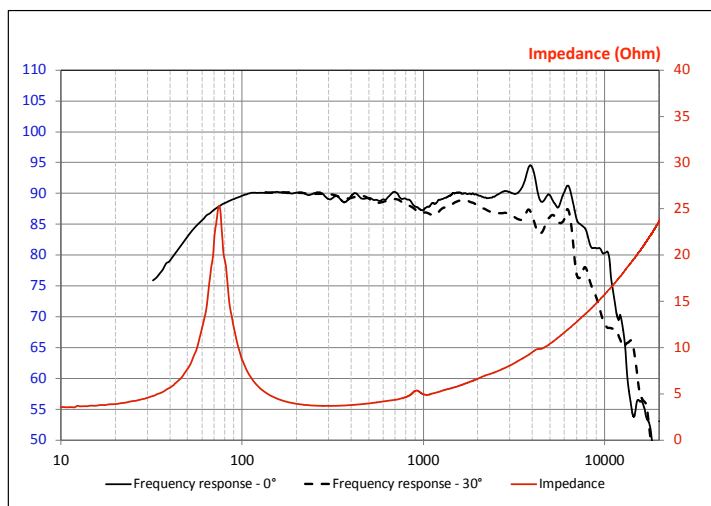
### Woofer



### SPECIFICATIONS

Nominal power	80 W
Maximum power	160 W
Sensitivity	91 dB
Nom. impedance	4 $\Omega$
Cone	DFS
Surround	Butyl
DC resistance	3.5 $\Omega$
VC diameter	25 mm 1"
Former	Kapton
Layers	2
Wire	Copper
Net weight	850 g 1.87lbs

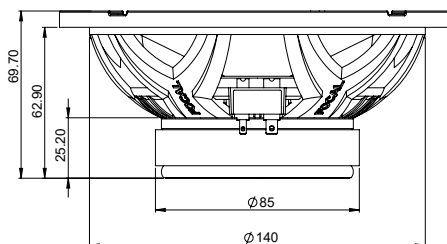
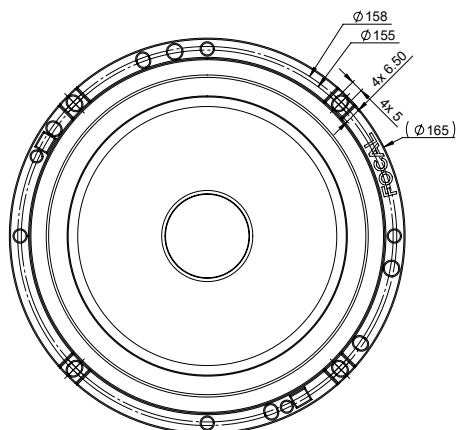
### FREQUENCY RESPONSE/IMPEDANCE



### PARAMETERS

Rdc	3.5 $\Omega$
Fs	70 Hz
Mms	14 g
Cms	0.34 mm/N
Vas	8.9 l
Qts	0.9
Qes	1.03
Qms	7.5
Bxl	4.7 N/A
Sd	136 cm
SPL	91 dB
Xmax	3 mm

### MECHANICAL DRAWING



**FOCAL**® INSIDE

Focal® is a trademark of Focal-JMLab® - [www.focal.com](http://www.focal.com) - SCAA190927/1

**FOCAL**®  
LISTEN BEYOND

# HDA 165 2014 UP

Technical Sheet

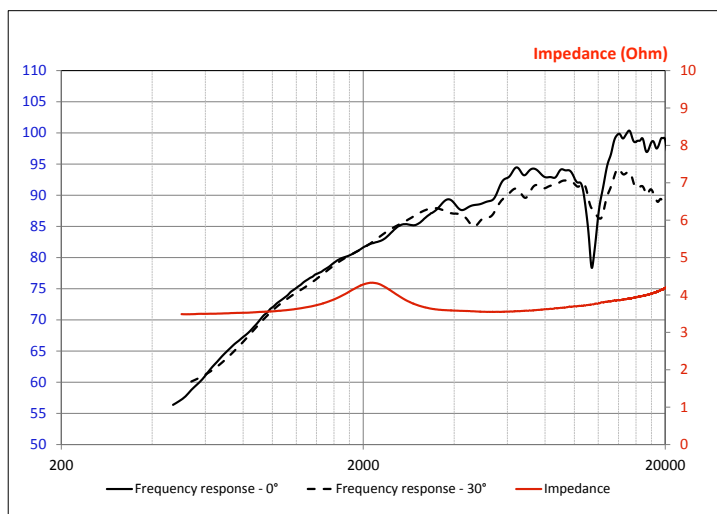
## Tweeter



## SPECIFICATIONS

Nominal power	20 W
Maximum power	200 W
Sensitivity	95 dB
Nom. impedance	4 $\Omega$
Cone	Aluminium
Surround	Poron
DC resistance	3.5 $\Omega$
VC diameter	20 mm $1\frac{3}{16}$ "
Former	Kapton
Layers	2
Wire	Alu
Net weight	60 g 0.131lb

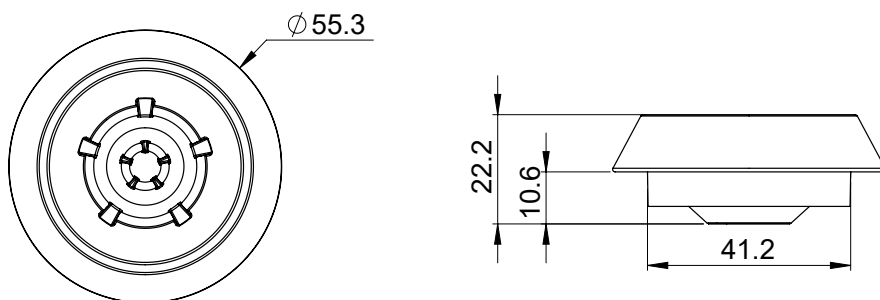
## FREQUENCY RESPONSE/IMPEDANCE



## PARAMETERS

Rdc	3.5 $\Omega$
Fs	2000 Hz

## MECHANICAL DRAWING



**FOCAL**® INSIDE

Focal® is a trademark of Focal-JMLab® - [www.focal.com](http://www.focal.com) - SCAA190927/1

**FOCAL**®  
LISTEN BEYOND