

MG 15 BASS

SUBWOOFER

8000 W

2016 UPGRATED EDITION

TECHNICAL SPECIFICATIONS

Component	Subwoofer Mobile Group	
Size	mm (in.)	380 (15)
Power handling	W peak	8000
	W continuous	2000
Impedance	Ω	1 + 1
Frequency response	Hz	28 ÷ 700
Voice coil \varnothing	mm (in.)	75 (3)
Cone	Water-repellent, pressed paper	
Weight of one component	kg (lb.)	1,3 (2.87)
X-mech*	mm (in.)	38 (1.49)

*X-mech massima escursione meccanica, indica il range di movimento in zona di funzionamento lineare dell'altoparlante, in entrambi i sensi

ELECTRO-ACOUSTIC PARAMETERS

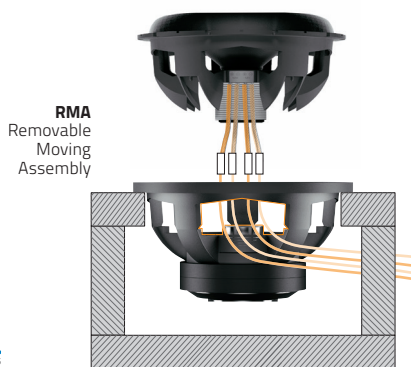
D	mm	334
Xmax	mm	20
Re*	Ω	2,3
Fs	Hz	30
Vas	l	81,9
Mms	g	375
Cms	mm/N	0,08
BL	T·m	17,2
Qts		0,5
Qes		0,55
Qms		5,55
Spl	dB	94

* Bobine in serie



The Hertz SPL Monster MG 15 BASS mobile group is the ideal solution for users looking for a very deep bass, with limitless excursion and thus capable of generating an amazing undistorted high pressure. The specific electro-acoustic parameters have been developed to maximize performance during "Bass Wars", but they also ensure excellent results in terms of pure pressure for SPL contests. As in Formula One pit-stops, The RMA system allows for a swift replacement of the MG 15 BASS mobile group to guarantee a superlative performance throughout the whole competition.

1. RMA: Removable Mobile Assembly for durable performance level during competition.
2. Four-layer CCAW voice coil, wound on TIL-P support with venting holes, a fiber-mixed material providing high thermal and mechanic resistance.
3. Voice coil winding treated with a special thermal paint lowering the working temperature by 30% and reducing mechanical stress.
4. DSS-2: Double Symmetrical Spider featuring a progressive roll. Each pair of spiders is coupled with silicon glue, for a limitless power handling.
5. Back vented spider support, avoiding air compression during wide excursion.
6. Reduced contact resistance connections with 8 AWG cables soldered directly to the leadwires.
7. Flat textile-waved ultra-low resistance leadwires integrated into the spider for unparallelled conductivity.
8. High-density large foam surround, ensuring high efficiency thanks to low weight and undistorted pressure even under extreme excursions.
9. Water-repellent pressed paper cone.



From R&D to final product
KLIPPEL
since 2005

