

UNIVERSAL ISU165

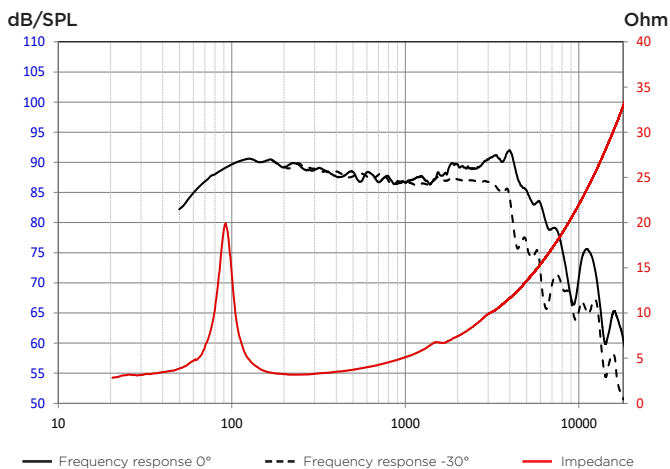
Technical Sheet

Woofers



- Polyglass cone
- Reduced height

FREQUENCY RESPONSE/IMPEDANCE



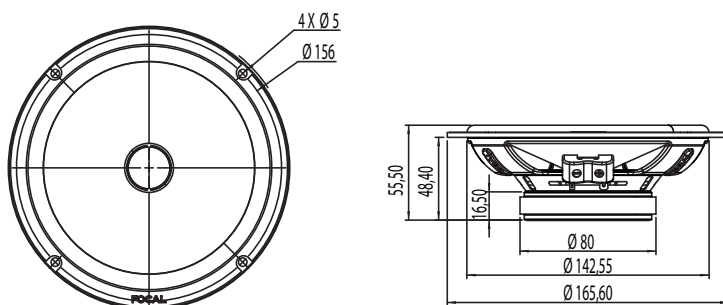
SPECIFICATIONS

Nominal power	70W RMS	
Maximum power	140W	
Sensitivity (2,83V/1m)	93dB	
Frequency response	60Hz-21kHz	
Cone type	Polyglass	
Surround type	Butyl	
Nom. impedance	4Ω	
VC diameter	25mm	1"
Net weight	750g	1.6lbs

PARAMETERS

Fs	90Hz
Vas	5.8l
Qts	1
Qes	1.3
Qms	7
Re	2.9Ω
Sd	137cm ²
Cms	0.23mm/N
Mms	14g
Bl	4.3N/A

MECHANICAL DRAWING



Integration
INSTANT GRATIFICATION

Focal is a trademark of Focal-JMlab®-Tel. (33) 04 77 43 57 00 - www.focal.com - Images may not conform exactly to specific product.
Photos L'Atelier Sylvain Madelon-SCAA-170907/2

FOCAL
LISTEN BEYOND