

UNIVERSAL ICU130

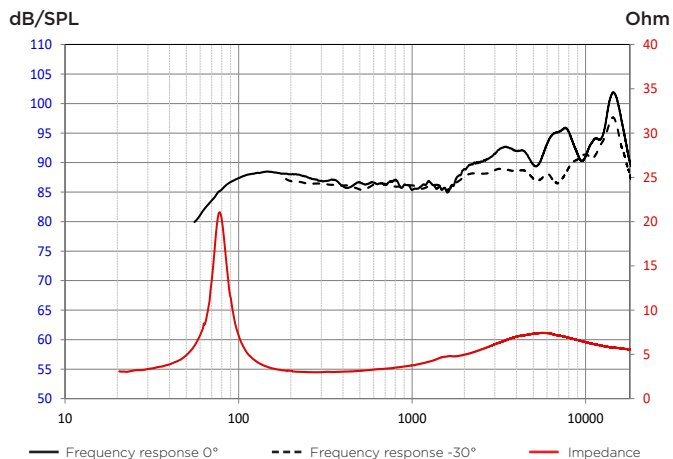
Technical Sheet

Woofer



- Polyglass cone, natural sound
- Compact dimensions, easy to install

FREQUENCY RESPONSE/IMPEDANCE



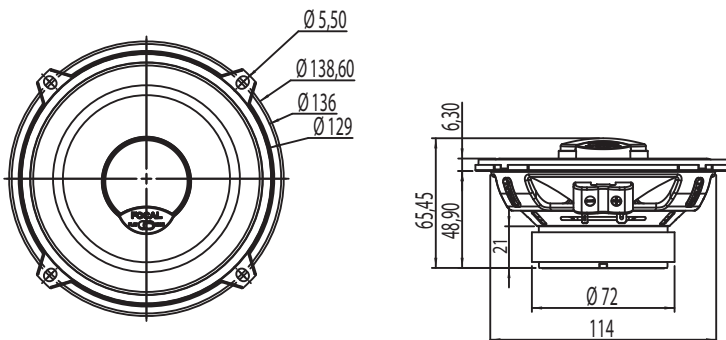
SPECIFICATIONS

| | | |
|------------------------|------------|--------|
| Nominal power | 60W RMS | |
| Maximum power | 120W | |
| Sensitivity (2,83V/1m) | 91.8dB | |
| Frequency response | 90Hz-21kHz | |
| Cone type | Polyglass | |
| Surround type | Butyl | |
| Nom. impedance | 4Ω | |
| VC diameter | 25mm | 1" |
| Net weight | 550g | 1.2lbs |

PARAMETERS

| | |
|-----|-------------------|
| Fs | 80Hz |
| Vas | 5l |
| Qts | 0.75 |
| Qes | 0.85 |
| Qms | 6 |
| Re | 2.7Ω |
| Sd | 84cm ² |
| Cms | 0.5mm/N |
| Mms | 8.2g |
| Bl | 3.6N/A |

MECHANICAL DRAWING



Integration
INSTANT GRATIFICATION

Focal is a trademark of Focal-JMlab®-Tel. (33) 04 77 43 57 00 - www.focal.com - Images may not conform exactly to specific product.
Photos L'Atelier Sylvain Madelon-SCAA-170907/2

FOCAL
LISTEN BEYOND